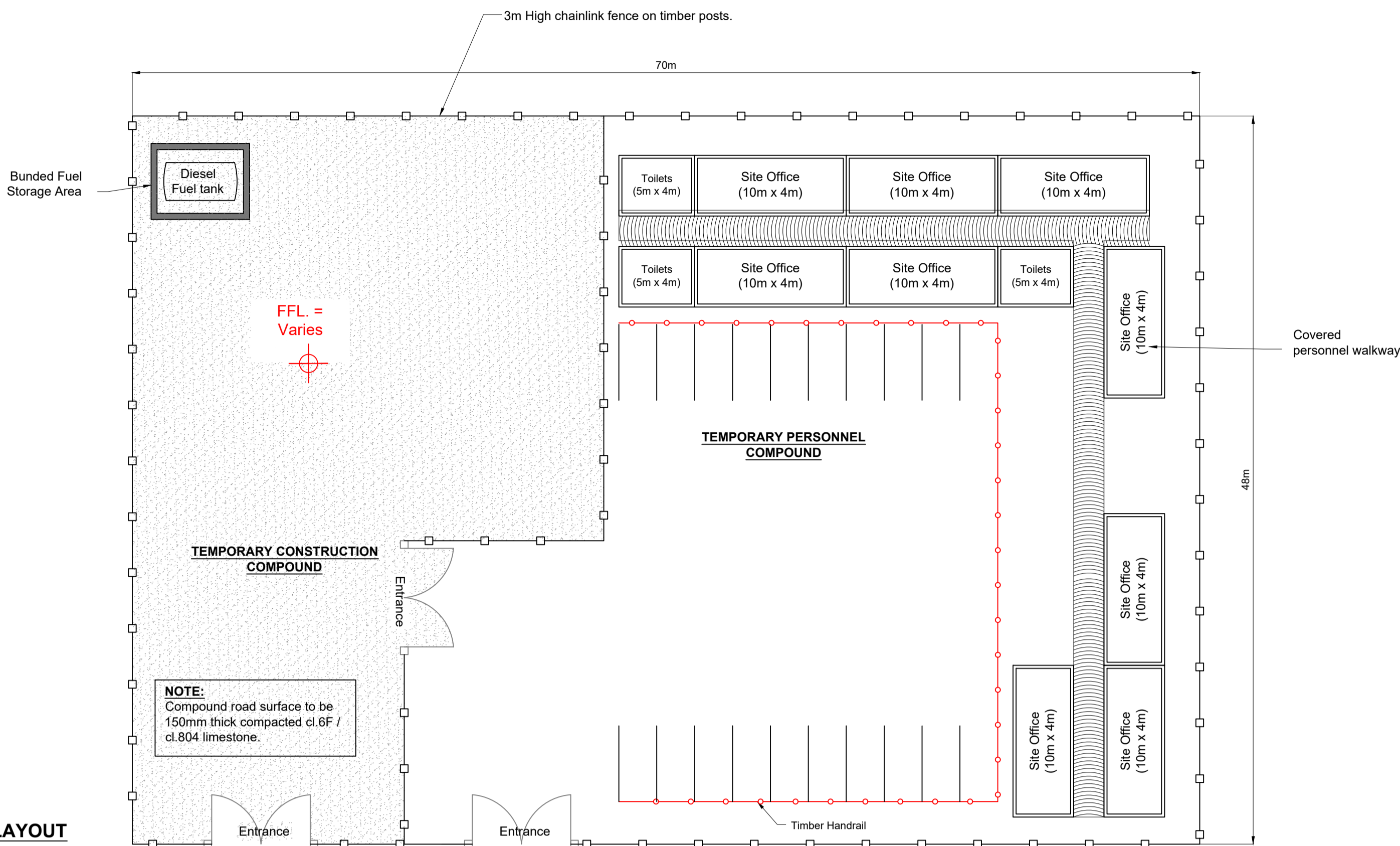
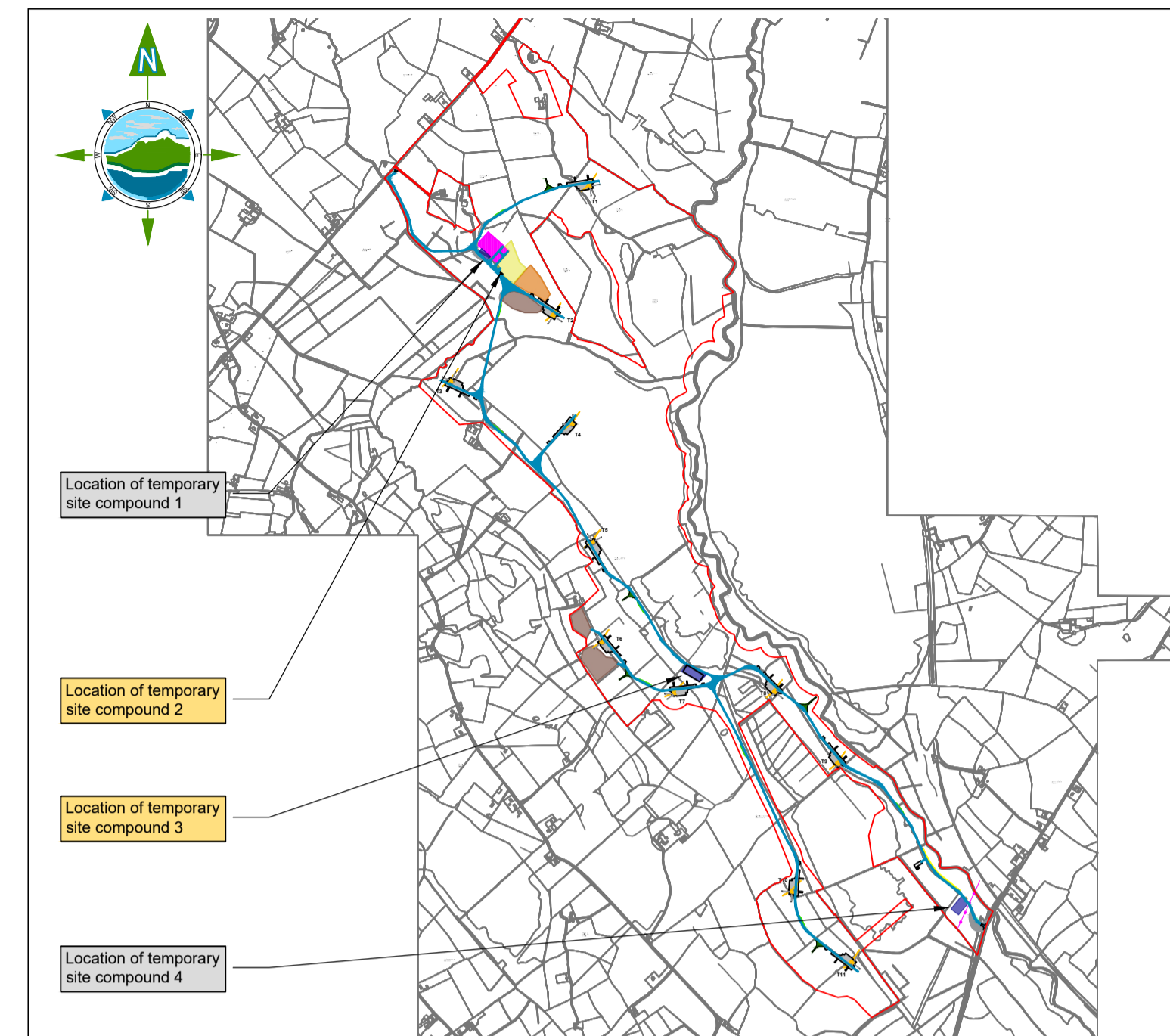


NOTE:
Orientation varies as multiple instances on site,
north point can be seen on Drg. No: 11333-2003.



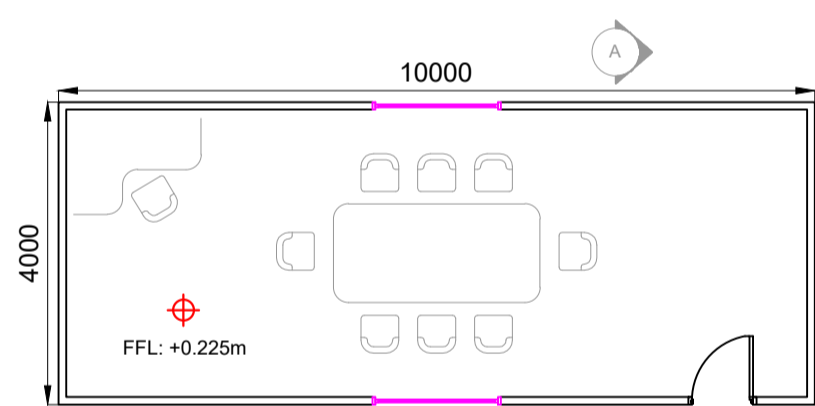
CONTRACTORS COMPOUND 2 & 3 - LAYOUT PLAN
SCALE 1:250



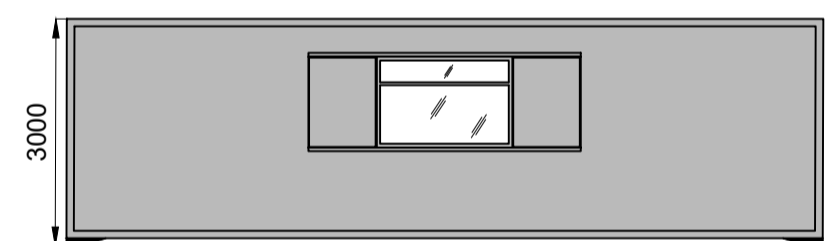
KEYPLAN
Scale: NTS

NOTES:

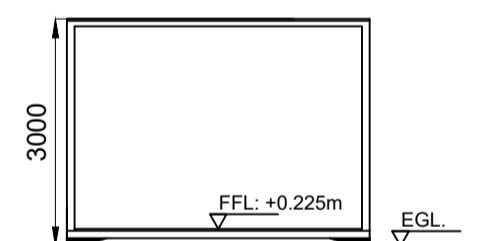
1. DRAWINGS FOR PLANNING PURPOSES ONLY.
2. FIGURED DIMENSIONS ONLY TO BE TAKEN FROM THIS DRAWING.
3. GRID REFERENCES TO IRISH NATIONAL GRID.
4. ALL LEVELS SHOWN RELATE TO ORDNANCE SURVEY DATUM AT MALIN HEAD



10m x 4m MEETING ROOM - FLOOR PLAN
SCALE 1:100



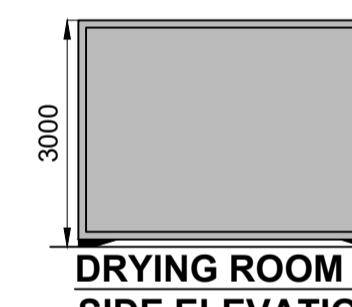
10m x 4m UNIT - REAR ELEVATION
SCALE 1:100



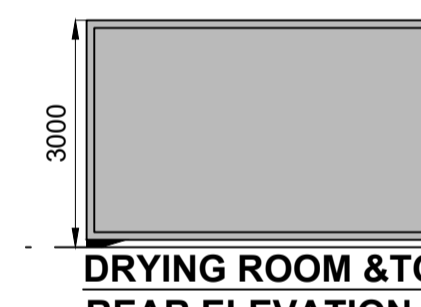
10m x 4m UNIT - SECTION A-A
SCALE 1:100



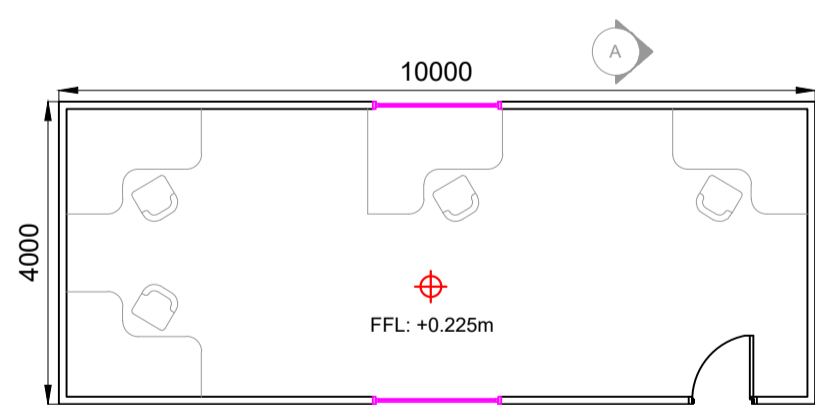
STORAGE UNIT - REAR ELEVATION
SCALE 1:100



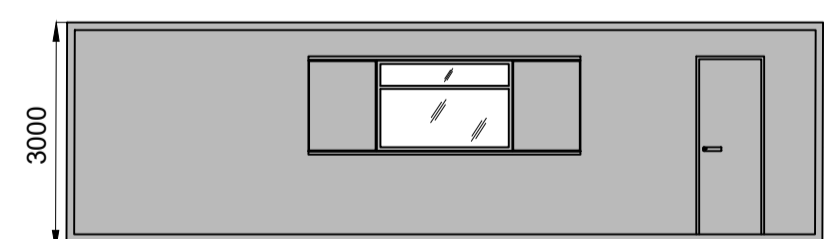
DRYING ROOM - SIDE ELEVATION
SCALE 1:100



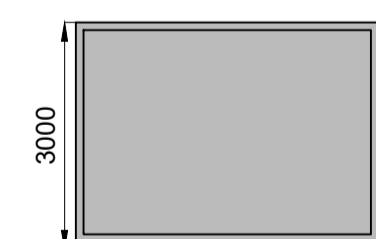
DRYING ROOM & TOILETS - REAR ELEVATION
SCALE 1:100



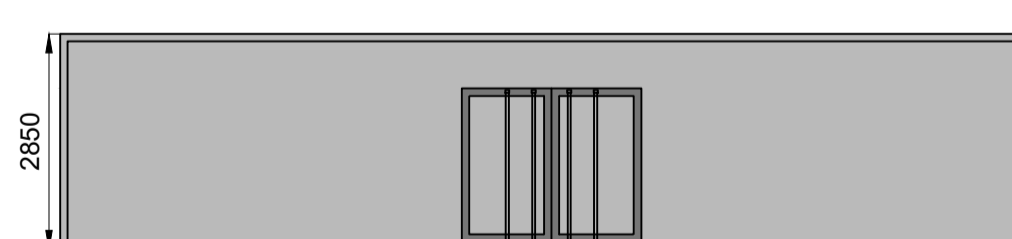
10m x 4m SITE OFFICE - FLOOR PLAN
SCALE 1:100



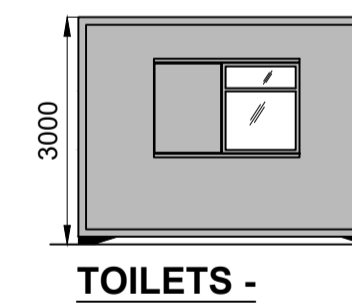
10m x 4m UNIT - FRONT ELEVATION
SCALE 1:100



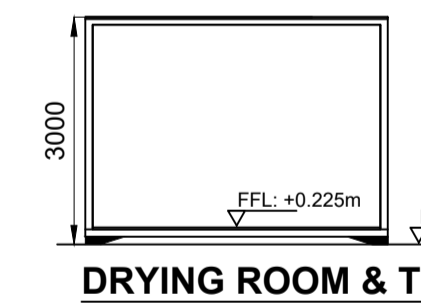
10m x 4m UNIT - SIDE ELEVATION
SCALE 1:100



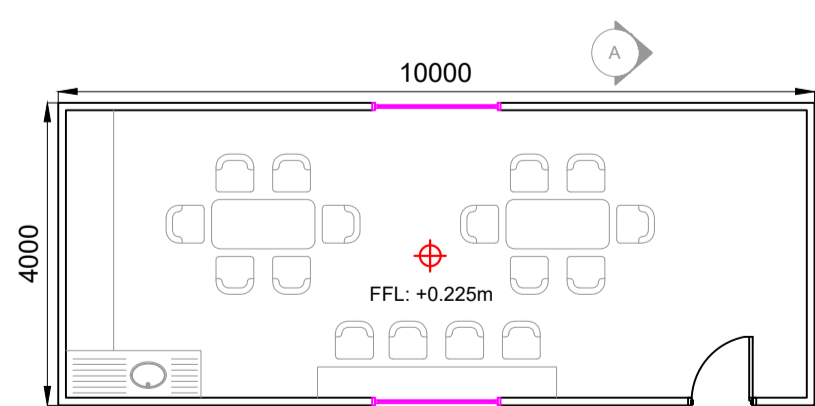
STORAGE UNIT - FRONT ELEVATION
SCALE 1:100



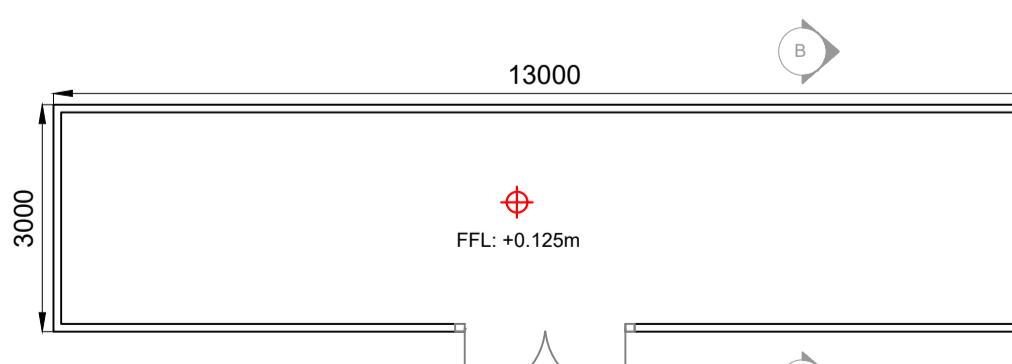
TOILETS - SIDE ELEVATION
SCALE 1:100



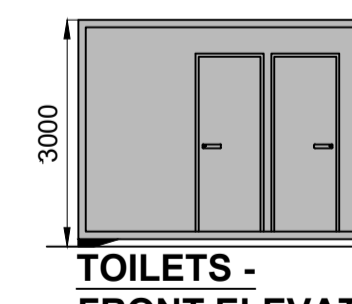
DRYING ROOM & TOILETS - SECTION C-C
SCALE 1:100



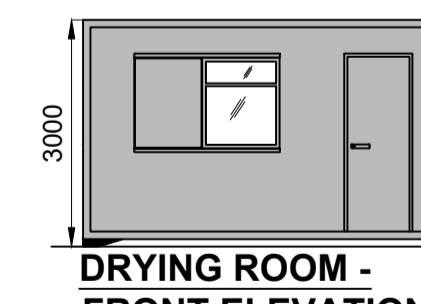
10m x 4m CANTEEN - FLOOR PLAN
SCALE 1:100



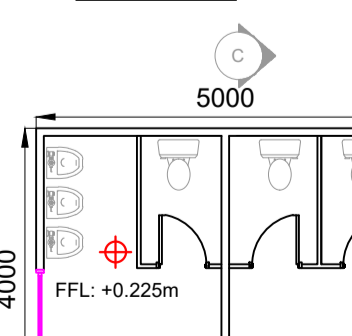
STORAGE UNIT - PLAN
SCALE 1:100



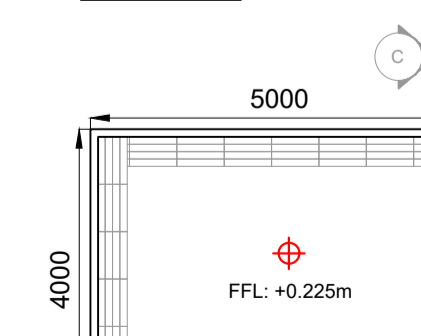
TOILETS - FRONT ELEVATION
SCALE 1:100



DRYING ROOM - FRONT ELEVATION
SCALE 1:100



TOILETS - FLOOR PLAN
SCALE 1:100



DRYING ROOM - FLOOR PLAN
SCALE 1:100

Rev	Date	Description	By	Chkd.
A	31.03.26	PLANNING ISSUE	MN	JD

Client: **RWE**

Project: **BALLINCOR WIND FARM PLANNING APPLICATION**

Title: **PROPOSED TEMPORARY SITE COMPOUND 2 & 3 AND ELEVATIONS**

Scale @ A1: **As Shown**

Prepared by: **M. Nolan** | Checked: **J. Dillon** | Date: **March 2026**

Drawing Status: **Planning**

TOBIN
Tel: +353 (0)91 565 211
Email: info@tobin.ie
www.tobin.ie

Drawing No.: **11333-2029** | Revision: **A**